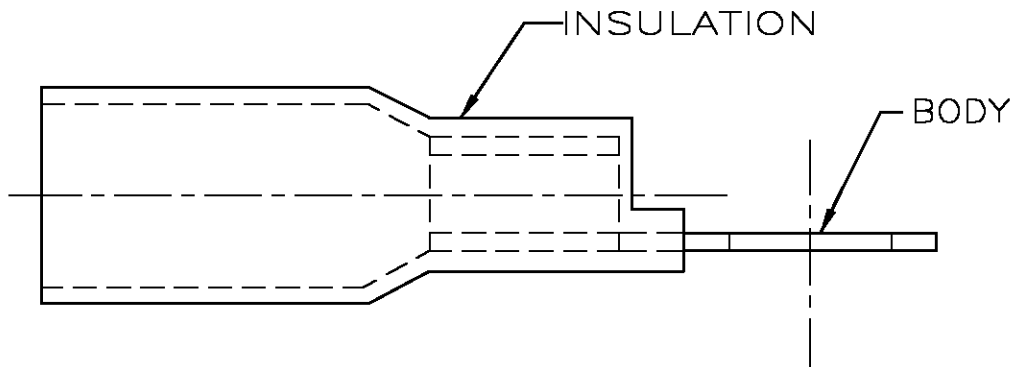
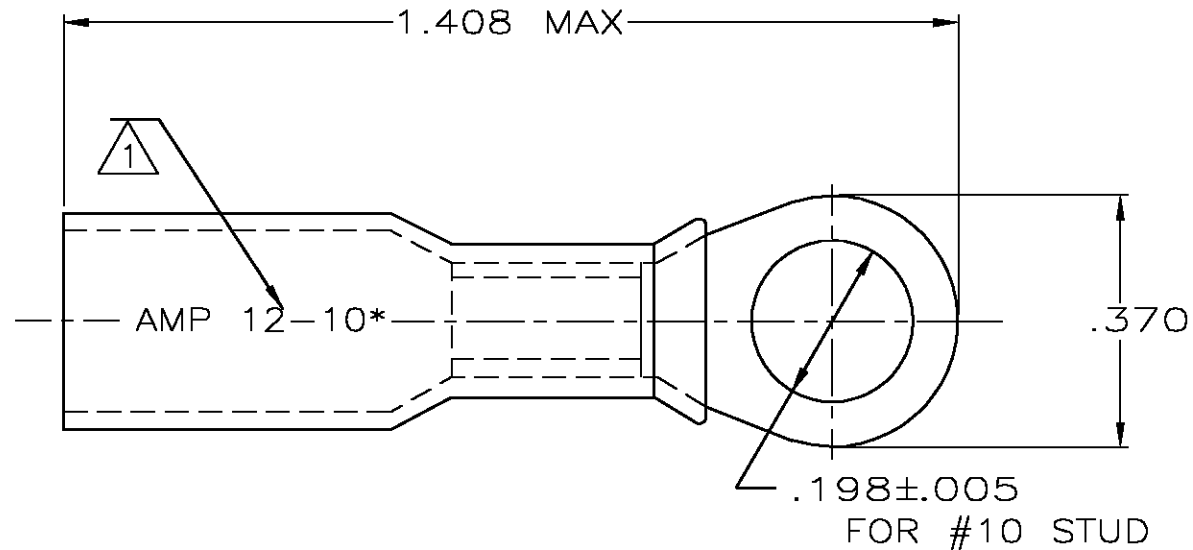


THIS DRAWING IS UNPUBLISHED. RELEASED FOR PUBLICATION ,19
 © COPYRIGHT 19 BY AMP INCORPORATED. ALL INTERNATIONAL RIGHTS RESERVED.

LOC	DIST	P	F	ZONE	LTR	DESCRIPTION	DATE	APPD
G	14				C	REV PER 0G3A-0001-03	07JAN03	JR TM

AMP WIRE RANGE	Listed	Certified
12-10 AWG STRANDED	12-10 AWG STRANDED	12-10 AWG STRANDED



NOTES:

- 1 STAMP AMP 12-10* APPROX AS SHOWN
- 2 WIRE INSULATION .240 DIA MAX
- 3 TONGUE MATERIAL THK IS .040±.002
- 4 NO UL APPROVAL AND NO CSA APPROVAL
- 5 PRELIMINARY - NOT FOR PRODUCTION

1500	ON TAPE, REEL	4 2-55857-1 5
25	LOOSE PIECE	8-55857-3
500	LOOSE PIECE	55857-1
QTY	PACKAGE TYPE	PART NO
DR 6/93 S S GOULDEN	AMP AMP Incorporated Harrisburg, PA 17105-3608	
CHK 6/93 R HERSEY	NAME	
APPD 6/93 B BARE	TERMINAL, RING TONGUE, SEALABLE HEAT SHRINKABLE	
APPD 6/93 M ELLIS	SIZE	CAGE CODE
PRODUCT SPEC	B	00779
APPLICATION SPEC	SCALE	DRAWING NO
WEIGHT -	NTS	C-55857
		SHEET 1 OF 1

AMP INCORPORATED CUSTOMER SERVICE SYSTEMS		MAX RECOMMENDED OPERATING TEMPERATURE: 125° C MAX
FOR ADDITIONAL PRODUCT INFORMATION OR COPIES OF DRAWINGS AND TECHNICAL DOCUMENTS	PRODUCT INFORMATION CENTER 1-800-522-6752	VOLTAGE RATING: 600V MAX (BUILDING WIRING) 1000V MAX (FIXTURES & SIGNS)
FOR APPLICATION TOOLING INFORMATION	TOOLING ASSISTANCE CENTER 1-800-722-1111	CIRCULAR MIL AREA: 2.62-6.64mm ² [5180-13100] STRANDED
FOR ORDER ENTRY	1-800-526-5142	FINISH EDP TIN PLATED
THIS DRAWING IS A CONTROLLED DOCUMENT FOR AMP INCORPORATED. IT IS SUBJECT TO CHANGE AND THE CONTROLLING ENGINEERING ORGANIZATION SHOULD BE CONTACTED FOR THE LATEST REVISION.		